

Product Range



Ref. Ceramic ELEC®plus			
Size	28mm	32mm	36mm
S	110230	110260	110300
M	110240	110270	110310
L	110250	110280	110320
XL	---	110291	110330

Ref. Ceramic Revision ELEC®plus			
Size	28mm	32mm	36mm
S	160000	160040	160080
M	160010	160050	160090
L	160020	160060	160100
XL	160030	160070	160110

Ref. Metal CoCrMo		
Size	28mm	32mm
S	030-2800	030-3200
M	030-2801	030-3201
L	030-2802	030-3202

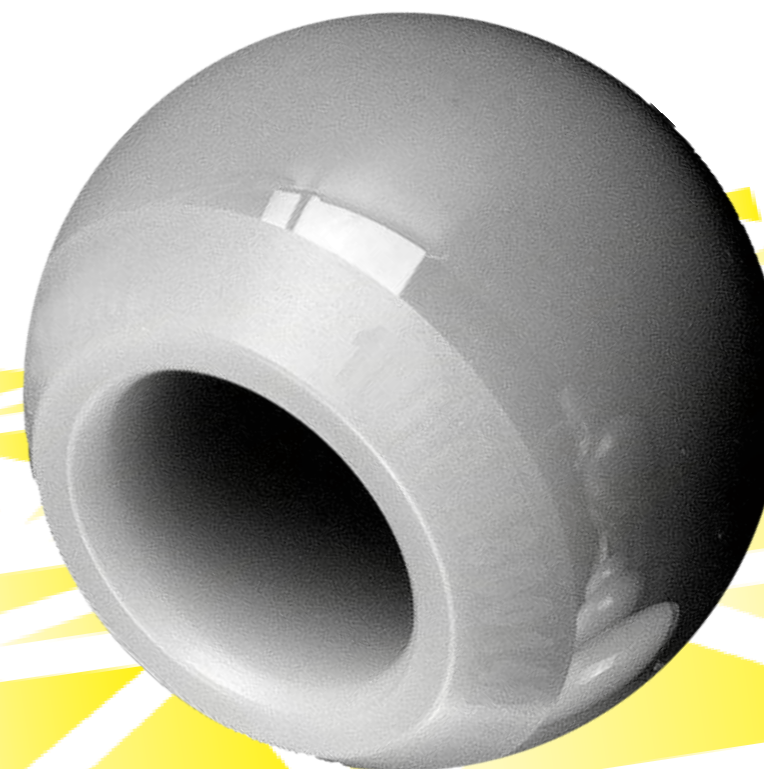
On Request:

- XL & XXL Ball Heads

Bipolar Ball Head							
Size	42mm	44mm	46mm	48mm	50mm	52mm	54mm
Ref.	150-042	150-044	150-046	150-048	150-050	150-052	150-054
Size	56mm	58mm	60mm				
Ref.	150-056	150-058	150-060				

Pyramid Ball Heads

Ceramic, Metal and Bipolar Heads



Ateosos medical AG
Schachenallee 29
CH-5001 Aarau

CE 1250



Lit.No.: 506.E001-B1
Edition: 11/20-EN



www.atesos.ch

Configurations



ELEC[®]plus:

Zirconia- toughened Alumina- Ceramic (ISO 6474-2)

Indication:

- Ceramic on PE Articulation
- Ceramic on Ceramic Articulation

Sizes: 28, 32, 36

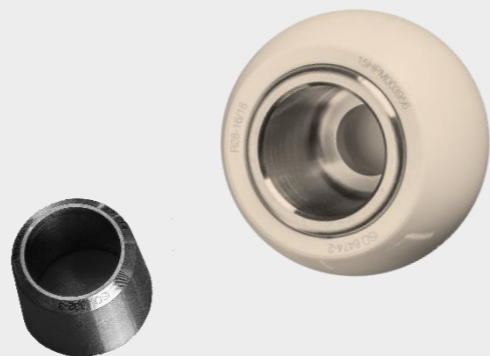
ELEC[®]plus Revision Head:

Zirconia - toughened Alumina-Ceramic (ISO 6474-2) & Titanium sleeve (ISO 5832-3)

Indication:

- Replacement of preexisting head

Sizes: 28, 32, 36



Metal:

CoCrMo (ISO 5832-12)

Indication:

- Metal on PE Articulation

Sizes: 28, 32



Bipolar:

CoCrMo (ISO 5832-12)

UHMW-PE (ISO 5834-2)

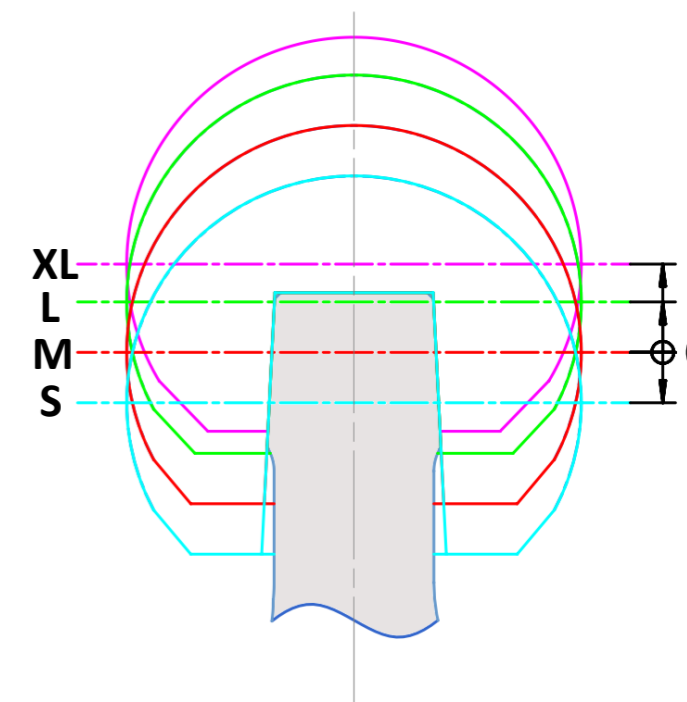
Sizes: 42, 44, 46, ..., 60



Neck Length



		ø28	ø32	ø36
Ceramic	S	-3.5	-4	-4
	M	0	0	0
	L	+3.5	+4	+4
	XL	+7 *)	+7	+8
Metal	S	-3.5	-2.5	
	M	0	0	
	L	+3.5	+4	
	XL	+7	+8	
	XXL	+10.5	+12	



(values in mm)

*) only Revision Head available

Pairings



		Inlay		
		PE	PE x-link	ELEC [®] plus
Ball Head	ELEC [®] plus	X	X	X
	Metal	X	X	

