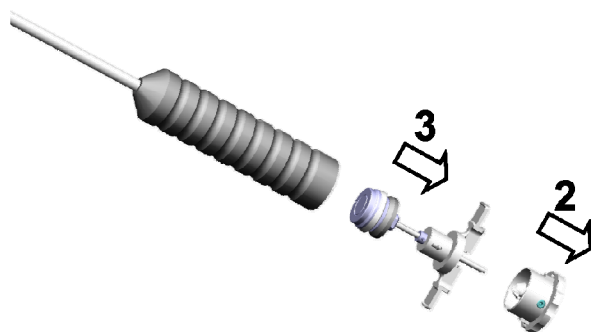
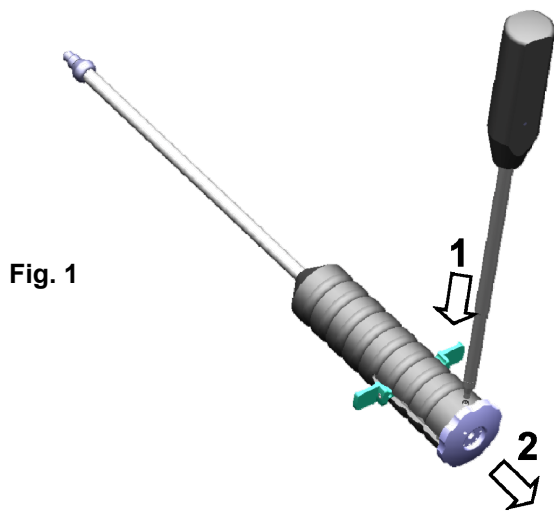


## Introducer cup inserter Octopus

### Disassembly & Cleaning & Assembly & Sterilisation Procedure

Start top for assembly

Read bottom-up for disassembly



The **seating instrument for inlays Octopus** should be separated for cleaning and assembled according to the following description:

The inlay specific adapters are detachable from the instrument for cleaning and sterilization by a screw thread.

The piston mechanism has to be pushed down totally.

After pushing the pushbutton (1) on the side of the instrument with the torque screwdriver, the impactor plate (2) can be removed from the grip handle (Fig. 1).

The piston mechanism can be pulled out of the grip handle Fig.2 ->p (3). The instrument will be disinfected, cleaned and sterilized in these 3 separate parts.

Before assembly, the piston closure should be visually checked for damage. We recommend adding a suitable lubricant to the red sealing and the black sliding ring after cleaning but before sterilizing. The piston mechanism should be pushed into the grip handle until the stop is reached. The impactor plate should be pressed on the grip handle and positioned by turning. The impactor plate will be arrested by the pushbutton which snaps in the grip handle.

The instrument is usable for surgery after combination with the chosen inlay adapter.

All instrument components are sterilized by steam sterilization. Procedures following valid standards should be used for the cleaning and sterilization of reusable instruments. Further information is attached to the product package insert and is available in the brochure "preparation of reusable instruments".