

DAASS

Direct Anterior Approach Support System

Legholder for Anterior MIS Approach *)
for THR & Hip-Arthroscopy

Fits all OR tables with Euro splint and
separately lowerable stilts **)

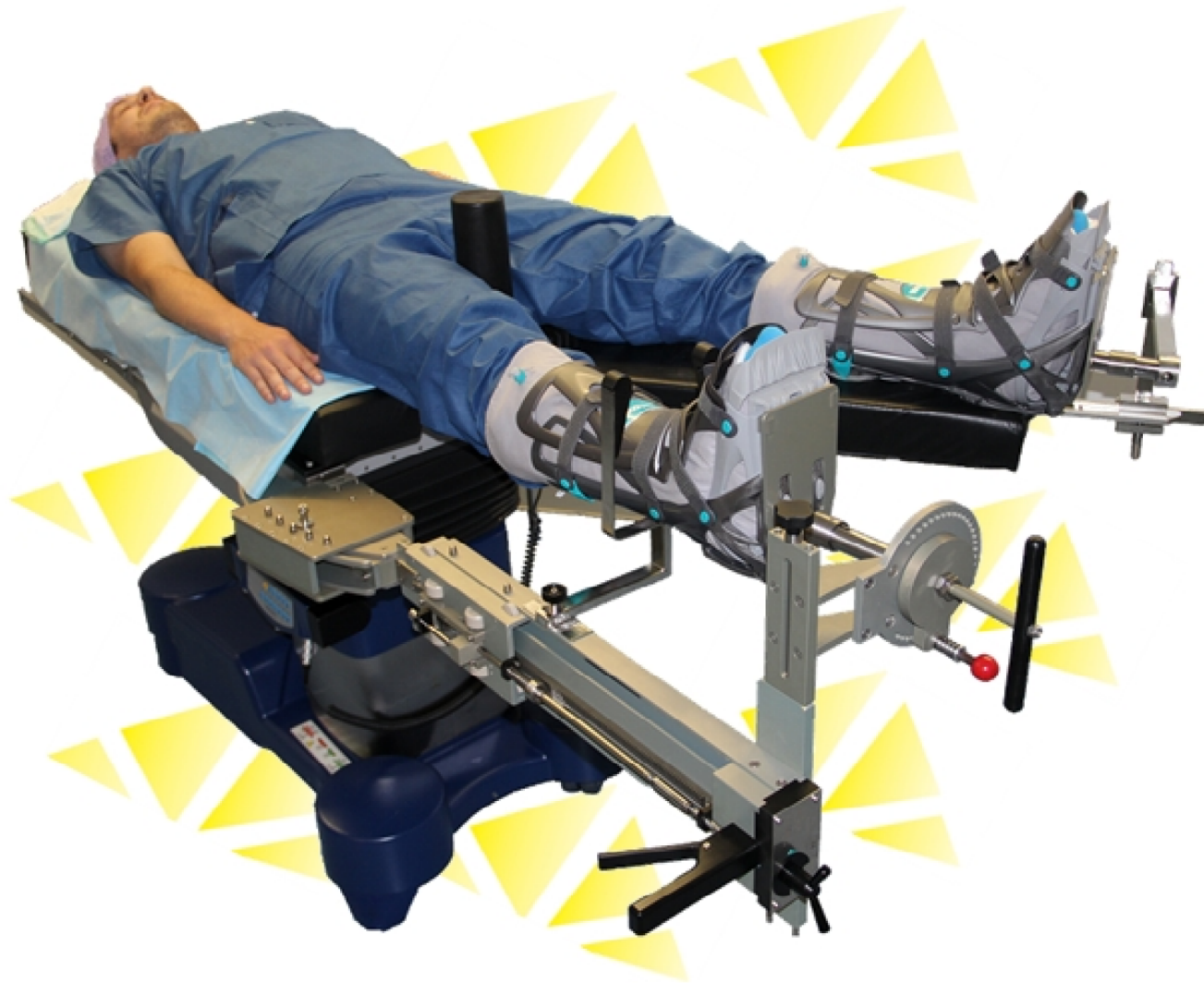
**) more information on request



Atesos medical A
Schachenallee 29
CH-5000 Aarau
Switzerland



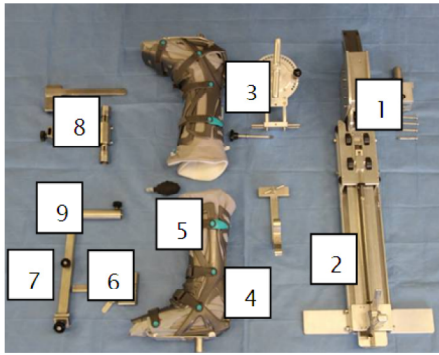
info@atesos.ch
www.atesos.ch



Features:

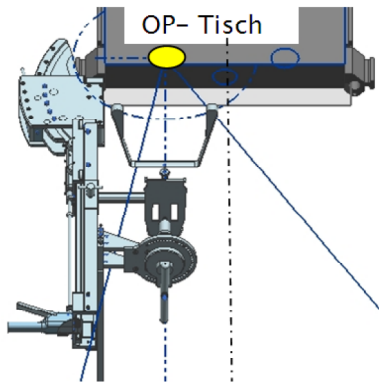
- Distraction, Ab- & Adduction, Flexion- Extension, Rotation, Knee-Flexion exactly adjustable
- Direct connection to the OR table as compatible accessory
- High safety, weight approx. 10kg
- All standard functions of the OR table completely usable
- Standard draping, easy and unsteril control
- Undisturbed imaging (C-arm)

Components and assembly at the OR table



Spezific components Atesos medical

- 1: Table coupling
- 2: Frame with linear track
- 3: Leg holder with rotation adjustment treated side
- 4: Support for boot treated side
- 5: Boot with coupling 2x
- 6: Clamp for Euro splint stopper attachment
- 7: Pipe connection stopper
- 8: Clamp for Euro splint non-treated side
- 9: Pipe connection boot non-treated side



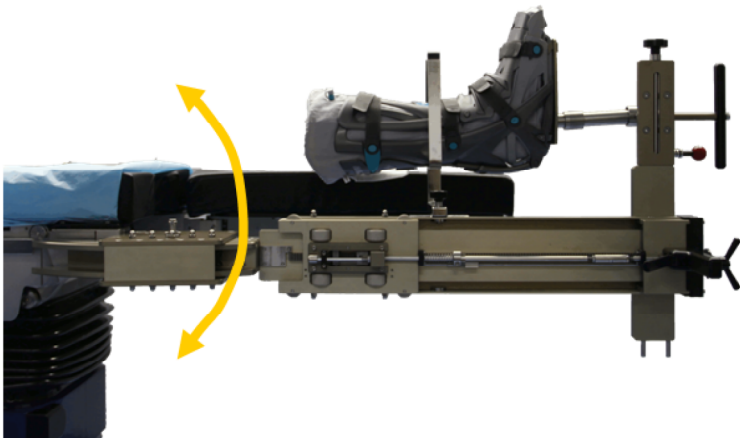
Leg holder assembled:

- Adductions angle 35°
- Abductions angle 15°
- Hip centre 15cm of centre of table

Fixation of the treated leg in Vacuped boot

Steril draping according to local standard. No specific requirements to the steril draping.

Positioning & fixation of the non treated leg (R/L) (optional for MIS THR)



Handling of the leg holder during surgery

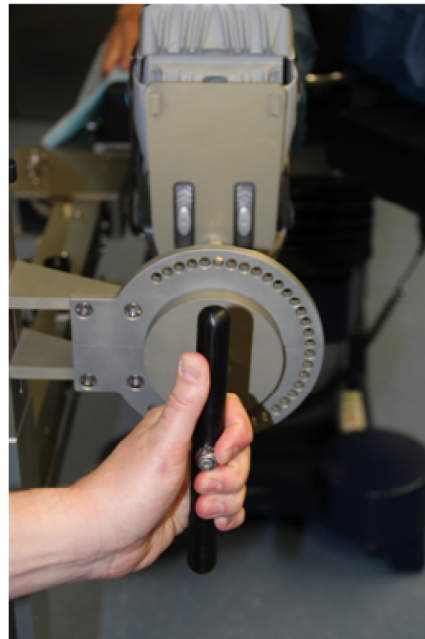


Distraction of the leg:

Distraction feeder with hand lever

Force transmission ratio 1:3
The leg is distracted with 3-times hand force.

Indexed position approx. 2mm



External & Internal rotation of the leg:

Rotation steps = 3°

Rotation up to 120°

*) Patent pending

Cleaning and maintenance:

Cleaning with standard cleaning agents, identically to OR table and its accessories. No special actions for maintenance.